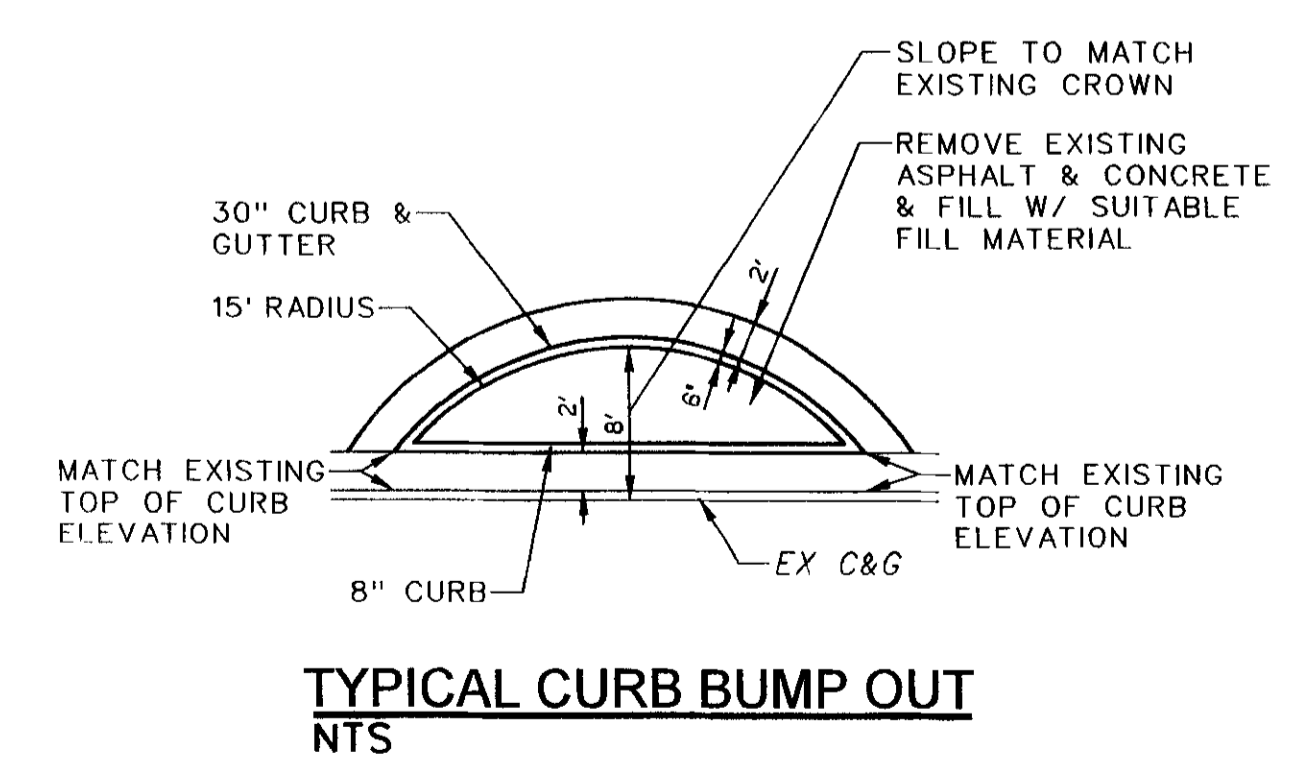


24in x 36in

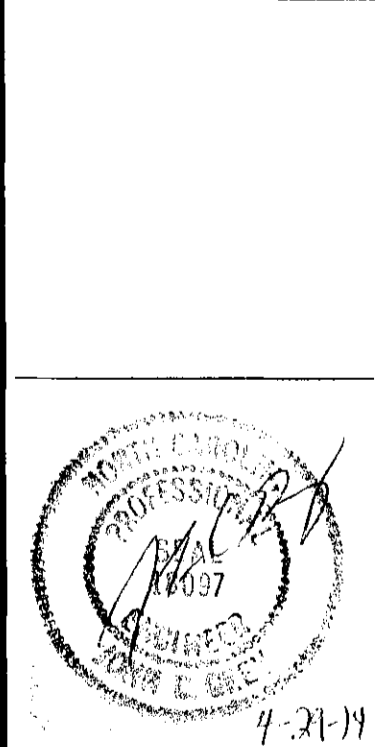
r:\freeman HP Mono - WinstonSalem - Lago - Color.plt 29,9999' / in. 4/28/2014 3:51:12 PM T:\Projects\Ramseur_3162\Main St imp without NCDOT work.dgn



REVISIONS	
△	CONSTRUCTION PLAN 10/28/2013
△	UPDATED FOR DOT 4/2/2014

THE WOOTEN COMPANY
 ENGINEERING PLANNING ARCHITECTURE
 350 North Cox Street, Suite 26, Asheville, NC 27203
 355.626.5322 Fax 355.626.5722
 License Number: F-1015

RANDOLPH COUNTY NORTH CAROLINA
 TOWN OF RAMSEUR
 MAIN STREET IMPROVEMENTS
 PLAN SHEET



DESIGNED BY: JCG
 DRAWN BY: CGL
 CHECKED BY: JCG
 PROJECT NO.: 3162-D
 DATE: APRIL 2014
 SCALE: 1" = 30'

SHEET 1 OF 1
C1